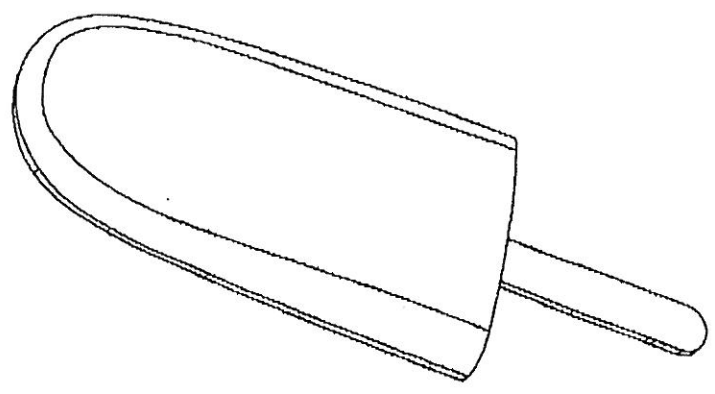
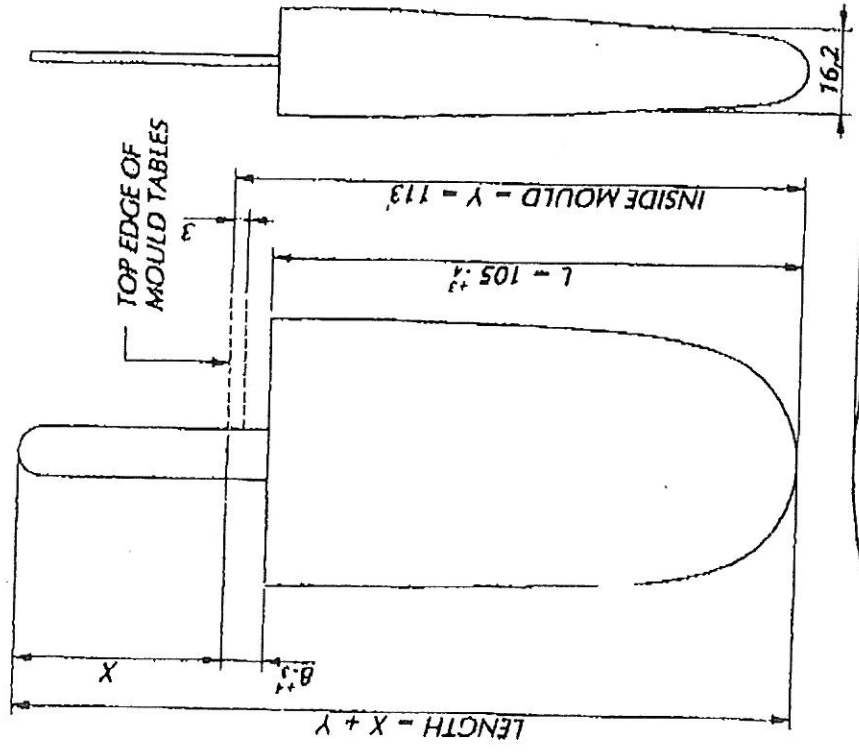


1

	X min.
ROLLO 14	40
ROLLO 20	30
ROLLO 27	30
ROLLO 32	34
ROLLO 35	34



VOLUMENS:

Volume of mould (at L = 105 mm), $V_{mould} = 75,0 \text{ CC}$
 Estimated volume of ice taken out of mould, $V_{ice} = 72,0 \text{ CC}$
 Residual (normally 1-3 CC) and displacement of stick (normally 1 CC) influence V ice

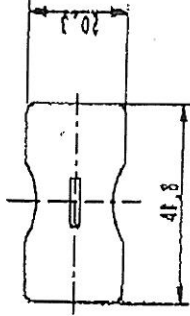
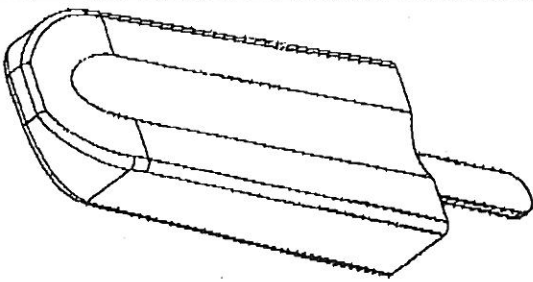
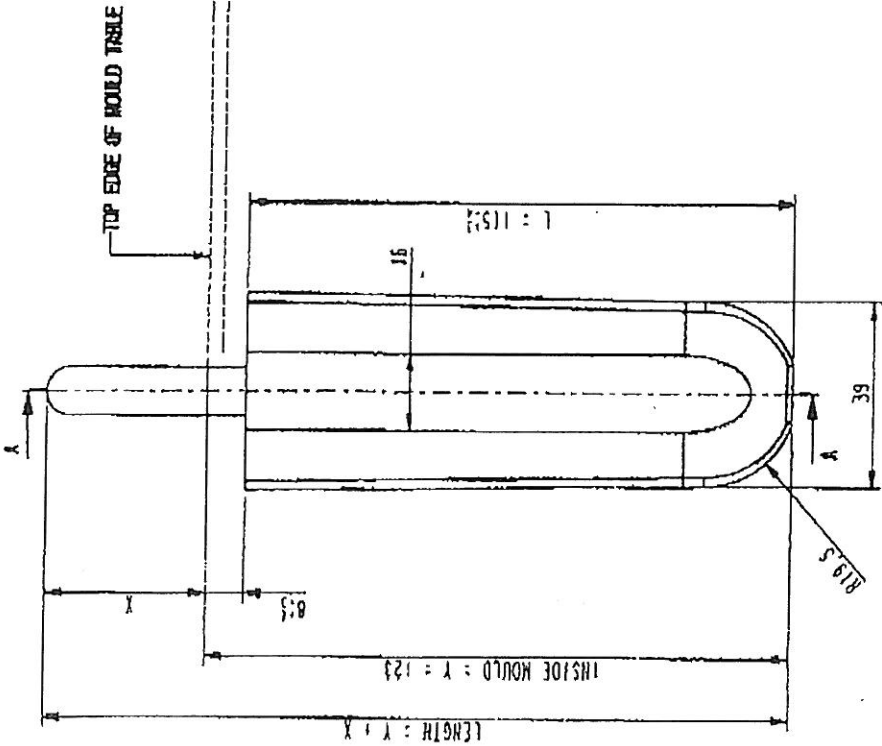
Please note: Product drawings, dimensions given refer to the shape of the mould. It must be anticipated, that the final product may differ slightly in volume and shape from the drawing of the stick product.

Freezing mould see drawing:

Approved by customer		Date:	
		STICK PRODUCT	
AA/MSGS (Final style perspective) 2024-01-10	D/MS/MSK	Smit/Sp/MSK	Brouwer/MSK
		Brouwer (114 Opmaat)	Sp:
		Brouwer (114)	Revisie

2nd mould - For sale

	X mm
ROLLO 14	40
ROLLO 20	30
ROLLO 27	30
ROLLO 32	34
ROLLO 35	34



VOLUMEN

Volume of mould for L : 25 and V mould : 80 CC

Estimated volume of ice taken out of mould, V_{ice} : 77 CC

Residual (nearly 13 CC) and displacement of stick (nearly 1 CC) influence V_{ice}

Please note Product drawings, dimensions given refer to the shape of the mould. It must be anticipated, that the final product may differ slightly in volume and shape from the drawing of the stick product.

FREZZING SHOULD SEE DRAWING D023205

Approved by customer		Date:	
Signature		Date	
 Tetra Pak Hoyer		STICK PRODUCT	
 ISO 9001	 ISO 14001	 Recycled paper	 Recycled paper
04.00005 04.00005	04.00005 04.00005	04.00005 04.00005	04.00005 04.00005

A

A